

**VINCI - LMKQ V2
&
LEONARDO - LLKQ V2**

LOCINOX[®]
WWW.LOCINOX.COM



USER GUIDE

■ ENGLISH

- As manufacturer of this product, we guarantee that we have taken all the necessary steps in order for this product to comply with the current safety requirements.



Copyright

Copyright © 2009 Locinox. All rights reserved.

This product incorporates copyright protected technology that is protected by a number of EU patent method claims and other intellectual property rights owned by the Locinox Corporation and other rightholders.

Use of this copyright protected technology must be authorized by the Locinox Corporation. Reverse engineering or disassembly is prohibited. No part of this publication can either be reproduced, communicated, transcribed, stored in a retrieval system or be translated into any language in any form or by any means, whether electronic, mechanical, magnetic, optical, chemical, manual or otherwise, unless explicit written consent has been given by the copyright holder.

Notice

The contents of this publication is subject to change. The company reserves the right to alter the contents of this publication at any time and without notice. The contents of this publication may contain inaccuracies or typographical errors and is supplied for informational use only.

Technical Support

If you require any additional information or assistance during the installation, please contact your dealer, who will be able to provide the latest information. Alternatively, you can visit the Locinox website for more technical information or e-mail us on locinox@locinox.com

Manual - English

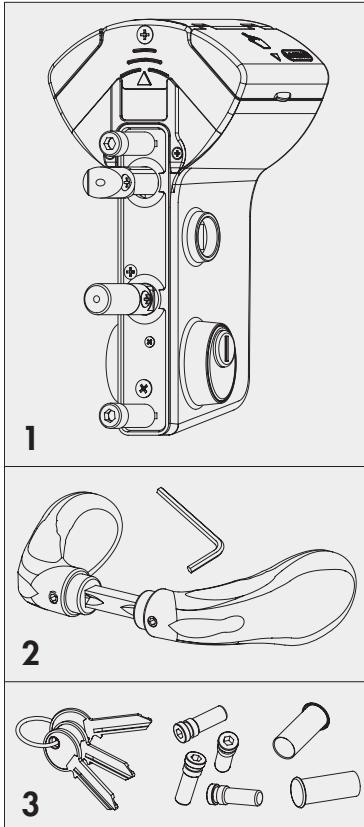
1. Introduction

Thank you for choosing a Locinox mechanical code lock! Please read the following instructions thoroughly before mounting the Vinci or Leonardo. Enclosed you will find all relevant user information concerning the Vinci and Leonardo.

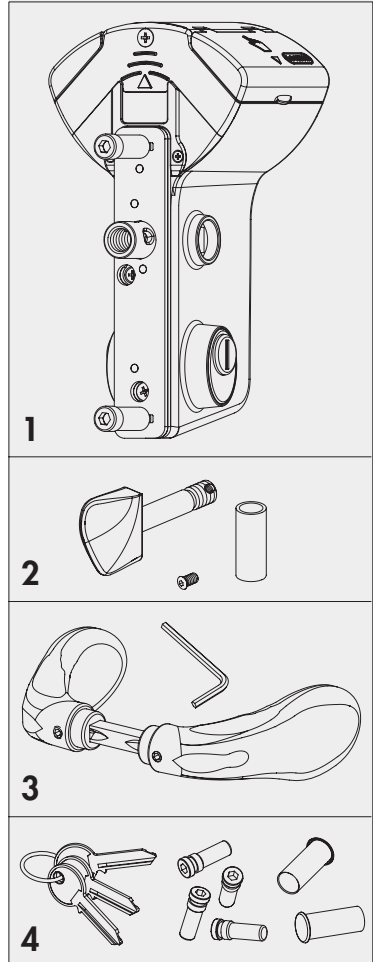
2. Package contents

Please check if your package contains the following items:

Vinci



Leonardo

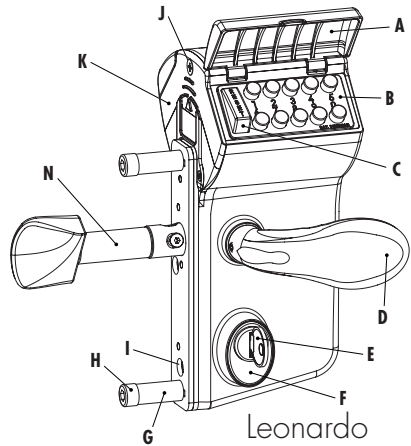
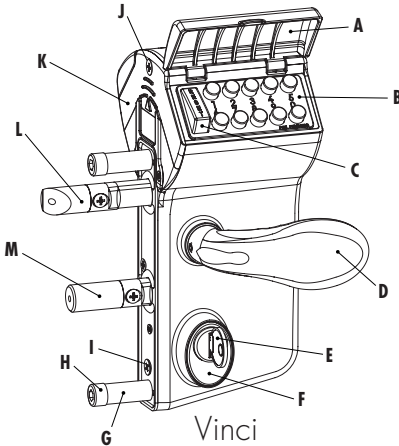


Please contact your supplier should any of the above items be damaged or missing.

	Vinci	Leonardo
1	Mechanical code lock for swinging gates	Mechanical code lock for sliding gates
2	3006Club Aluminium handle pair & hexkey (3mm)	Twistfinger-set
3	Cylinder keys (3x) & Code screws (4x) & Cover caps (2x)	3006Club Aluminium handle pair & hexkey (3mm)
4	/	Cylinder keys (3x) & Code screws (4x) & Cover caps (2x)

3. Components

The drawing below shows the names of the most important components. This drawing can be used as reference throughout the manual.



A	Rain and dust cover
B	Code panel
C	Reset button
D	Handle
E	Key
F	Cylinder rain and dust cover
G	Distance tube

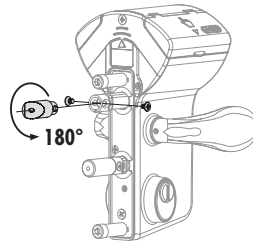
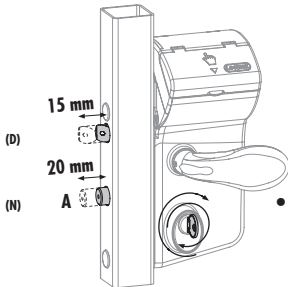
H	Hexagon socket head screw
I	Cylinder screw
J	Cover screw
K	Closing cover
L	Self-latching bolt (D)
M	Night bolt (N)
N	Twist finger

4. Specifications

- The Vinci & Leonardo are 100% mechanical code locks, which does not need a battery nor electricity to function.
- The code lock is equipped with a double-sided operational code panel. This enables you to work with different entrance and exit codes.
- The handle is blocked by means of the code panel. Upon entering the correct code, the handle is released and you can retract the self-latching bolt by means of the handle.
- Both code panels are protected by an aluminium cover. This prevents dust and rain from penetrating.
- The high-value code lock was also designed in a very user-friendly manner. Changing the code setting is very easy. A 4 to 6-digit code can be set by means of the additional code screws.
- The locks are equipped with a security press plate which rules out detection of the secret code by putting pressure on the handle. After the correct code has been entered and the gate has been opened with the handle, the code is automatically reset.

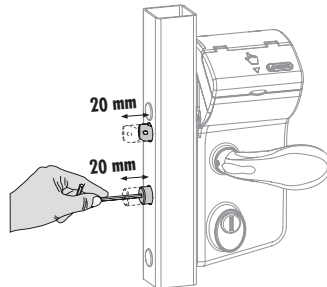
VINCI only

- If the night bolt is in a locked position, the lock remains locked irrespective of the code input.
- The self-latching bolt can easily be adapted for left- or right turning gates.



- As each mechanical code lock is equipped with a key-operation, the self-latching bolt can be opened by manipulating the key without entering the code. The self-latching bolt can be retracted 15 mm with the key. The throw of the night bolt is 25 mm.

- Both the night bolt as well as the self-latching bolt can be adjusted 20 mm continuously, which enables you to set the correct dept of each bolt into the keep in any situation.



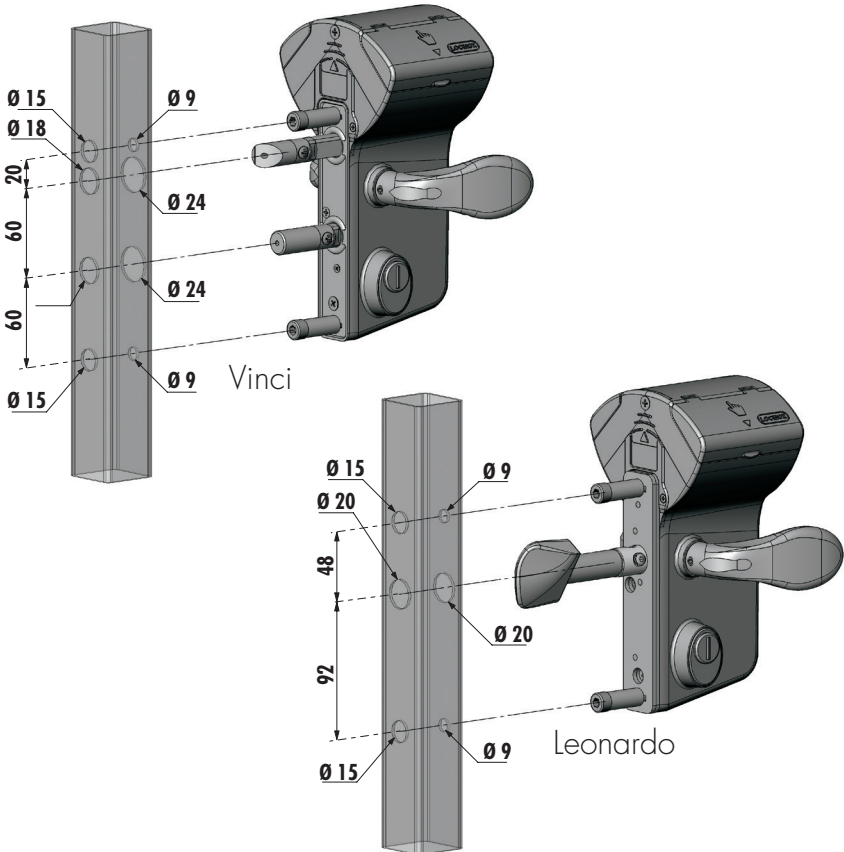
LEONARDO only

- Stainless steel shell around the twistfinger prevents cut-through of the pen.

5. Profile preparation

Determine the correct position of the lock in the gate frame. The mounting holes can be prepared by means of the below drawings.

BEWARE! For the Vinci, the holes of the self-latching bolt and the night-bolt, need to be larger ($\varnothing 24$) at the back of the gate frame than those at the front ($\varnothing 18$). This enables you to turn the Vinci into the gate frame quite easily in case of a minimum distance (110 mm) between the gate frame and the first gate bar.

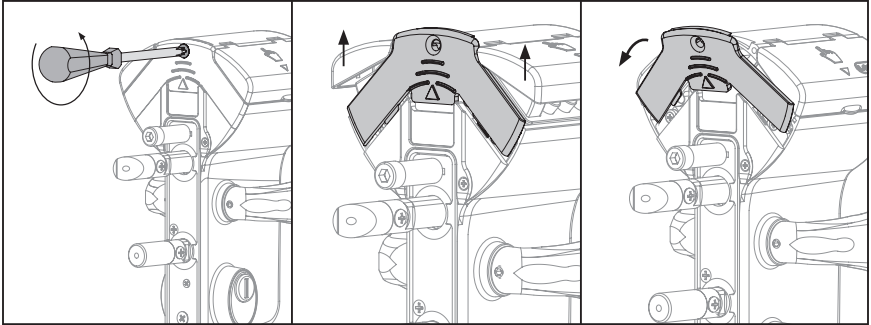


6. Code setting

Because of safety reasons, the Vinci & Leonardo were developed in such a manner that the code can only be changed when it is not mounted onto the gate. The default setting of the code is 1-2-3-4. The steps below explain how you can modify your own personal code in a fast and simple manner. The Vinci enables the setting of a 4 to 6-digit code.

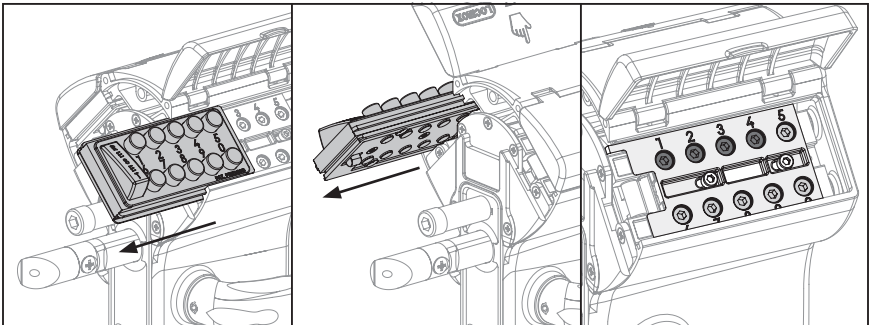
Step 1: Remove the closing cover.

First remove the cover screw and then slide out the closing cover.



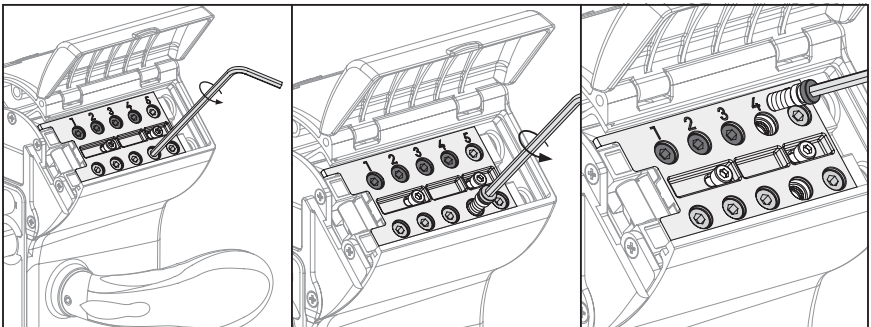
Step 2: Slide both code panels out of the lockbox.

After removing the code panels, you will find the red and green code screws. When dealing with a new lock, the green screws are automatically set in position 1-2-3-4, as shown in drawing F.



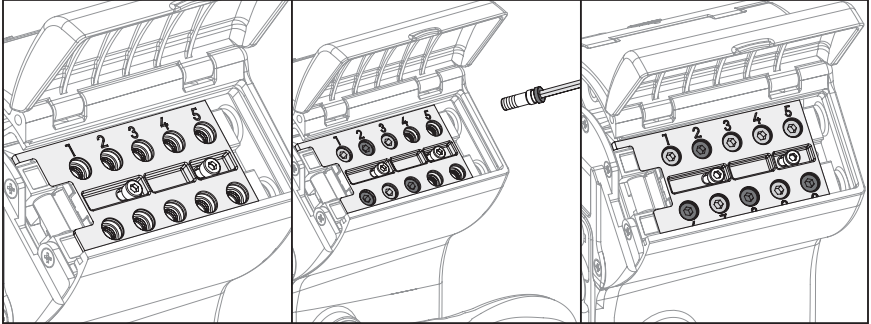
Step 3: Remove all code screws

Remove all code screws from the code mechanism with the enclosed hex key as shown in drawings G, H, I.



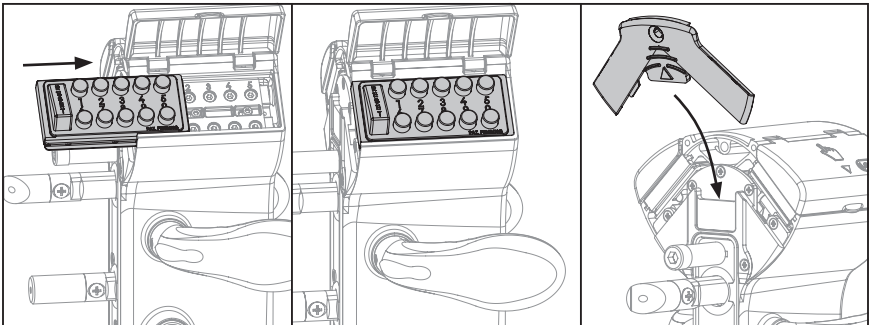
Step 4: Set your personal code

After having removed the code screws from the code mechanism, you can use the green code screws to set your personal code.



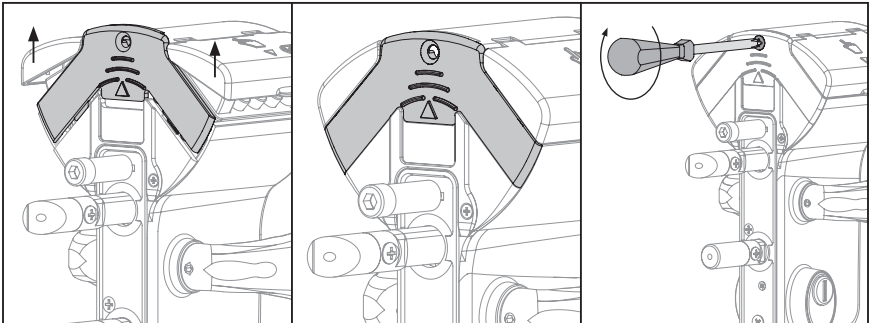
Step 5: Remounting the code panels

After setting your personal code, you are ready to replace the code panels. **BEWARE!** The reset button always need to be in front.



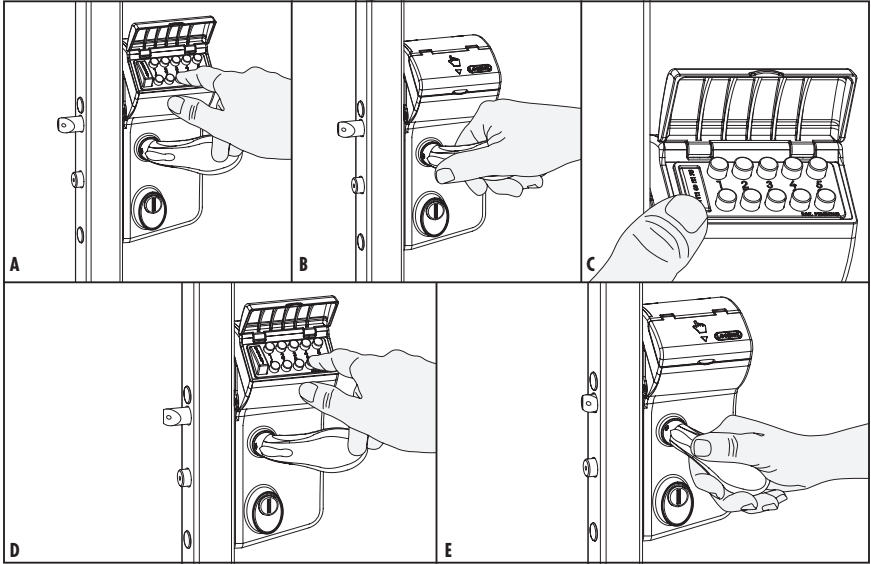
Step 6: Replacing the closing cover.

After fixing the code panels, the closing cover can be replaced. Lifting the cover caps slightly enables you to slide in the closing covers more easily. The lock is now ready to use. It is advisable to test the lock (see chapter 7 Operation) before mounting.



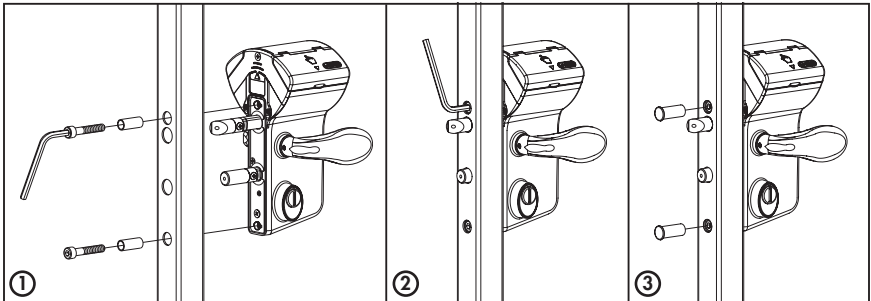
7. Operation

Enter a false code in order to test the reset function. *Drawing A* After having entered an incorrect code, the handle remains blocked. *Drawing B* Now press the reset button and enter the correct code. *Drawing C*. The handle can be moved after entering the correct code. This will retract the lock's self-latching bolt. *Drawing E*. After using the handle, the code is automatically reset. In doing so, the code needs to be entered each time in order to open the Vinci. When the Vinci has been locked by means of the key, the lock can no longer be opened by means of the code panel.



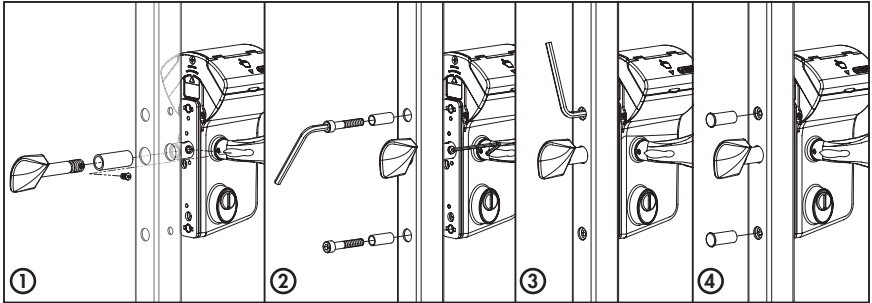
8. Mounting the Vinci

After testing the operation of your lock, the Vinci can be mounted onto the gate. The fast, easy and typical Locinox mounting is explained below. First slide the distance tubes over the hexagon socket head screws and fix the lock onto the gate profile by using the hex key. ① & ②. Tighten the hexagon socket head screws and cover the holes with the enclosed plastic cover caps. ③



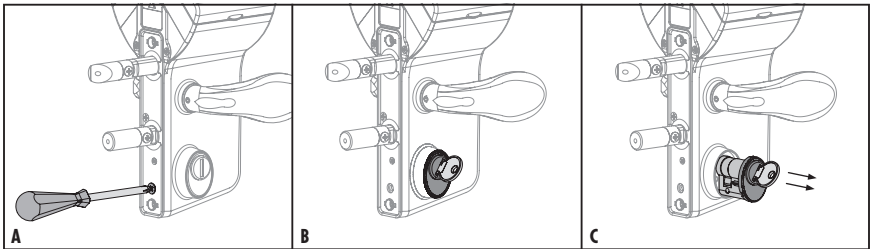
8. Mounting the Leonardo

After testing the operation of your lock, the Leonardo can be mounted onto the sliding gate. The fast, easy and typical Locinox mounting is explained below. First slide the stainless steel shell over the twistfinger and screw it into the lock. ① Pull back the Leonardo so u can block the twistfinger by fixing the screw ② Tighten the hexagon socket head screws and cover the holes with the enclosed plastic cover caps. ③ & ④

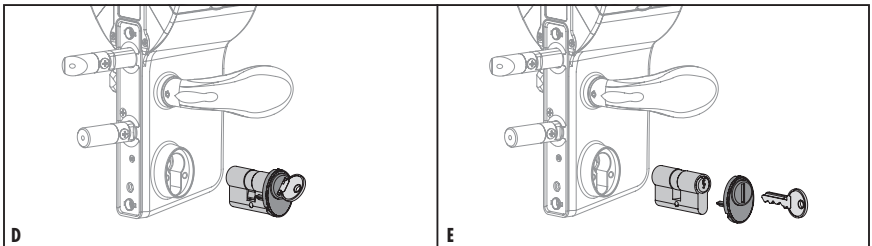


10. Removing the cylinder and the dust cover

In order to remove the cylinder or the dust cover, the lock needs to be dismantled. Please follow the procedure as described in chapter 8 & 9. Only now, it has to be done in reverse order. Once the lock has been dismantled, you only have to follow the instructions below to remove the cylinder and the dust cover. Firstly, you need to remove the screw that holds in the cylinder in place. *Image A.* Secondly, put the key into the cylinder and turn it until it is blocked at an angle of 45°. *Image B.* You can now put pressure onto the key. When pulling it out in a straight line, you will be removing the cylinder and the dust cover. *Image C.*



If you now remove the key from the cylinder, you have 3 separate pieces. *Images D & E.*





* M A N U - 0 0 0 0 0 3 *

2017-05-31 - rev 2

Copyright © 2014 Locinox. All rights reserved.
All specifications and figures are subject to change without notice.

Locinox nv - Mannebeekstraat 21 - B-8790 - Waregem - Belgium
Tel. +32 (0)56 77 27 66 - Fax. +32 (0)56 77 69 26
E-mail: locinox@locinox.com - Web: www.locinox.com